

# SPECIFICATION

Model Name

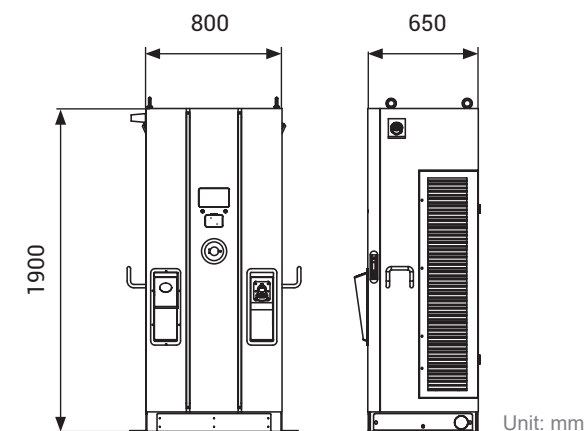
DS 150



|                          | unit                          | CE/ CNS/ TR25                   | UL   |
|--------------------------|-------------------------------|---------------------------------|--|
| AC Input                 | Input Voltage                 | X 3Φ_380~415Vac, ±15% (50/60hz) | 3Φ_480Vac, +10%, -15% (50/60hz)  |
|                          | Input Current Rating          | A Max: 289                      | Nominal: 194   |
|                          | Max. Input Power              | kVA 163                         | 163  |
|                          | Connection/ Power Grid System | -                               | 3P+ N+ PE , TN/TT  |
|                          | Power factor                  | X                               | >0.99  |
|                          | Efficiency                    | %                               | >94  |
| DC Output                | Output Voltage                | V                               | 150 ~ 950  |
|                          | Simultaneously output mode    | -                               | Dynamic distribution   |
|                          | Current                       | A                               | CCS air cooling 300A<br>CHAdeMO 200A/125A  |
| Mechanical               | Dimension (W x D x H)         | mm 800x650x1900 mm              | 32 x 26 x 75 inch  |
|                          | Weight(+/-3%)                 | kg/lbs 510 kg                   | 1124 lbs   |
|                          | Cable length                  | m/ft Standard:4.5 m             | Standard:15 ft   |
| Environment              | Operating Temperatur          | °C / °F -30~50°C                | -22~122°F  |
|                          | Humidity                      | %                               | 5~95%  |
|                          | IP/IK ratings                 | -                               | IP55   IK10 (HMI IK8) NEMA 3R   IK10 (HMI IK8)   |
| Compliance               | EMC/EMI                       | -                               | IEC.61851-21-2 CNS 15511-21-2 FCC Part 15 Subpart B ICES-003                                   |
|                          | Safety                        | -                               | IEC.61851-1. IEC.61851-23 CNS 15511-1 CNS 15511-23 UL 2202 UL 2231                             |
| Protection               | Input                         | -                               | OVP, UVP, OCP, OPP, OTP, SPD, RCD OVP, UVP, OCP, OPP, OTP, SPD                                 |
|                          | Output                        | -                               | OCP, SCP, OVP, LVP, OTP, IMD   |
| User Interface & Control | Backend Support               | -                               | Ocpp 1.6 JSON, Ocpp 2.0 core profile<br>*Simultaneously connect to client & maintenance server |
|                          | Display                       | inch                            | 7  |
|                          | User Authentication           | -                               | QR code, RFID, Credit Card (Optional)  |
| Communication            | External                      | -                               | 4G/ Wi-Fi/ Ethernet (RJ45)<br>*Option:Wi-Fi or dual 4G   |

## Cable Management

For information on the optional charging pedestal, please refer to the accessory section on page 93.



Unit: mm



Our EV charger is thoughtfully designed to be ADA-friendly, featuring an ergonomic usage height that bridges the gap between people and technology.