

SPECIFICATION

Model Name

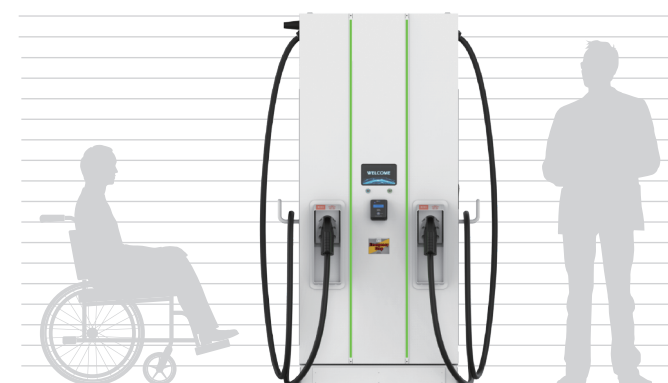
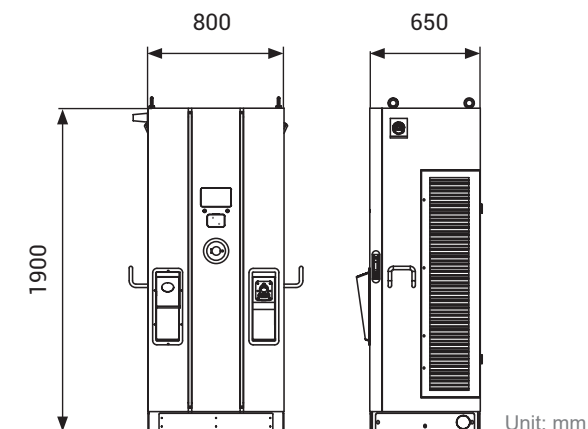
DS 120



	unit	CE/ CNS/ TR25	UL	
AC Input	Input Voltage	X 3Φ_380~415Vac, ±15% (50/60hz)	3Φ_480Vac, +10%, -15% (50/60hz)	
	Input Current Rating	A Max:230	Nominal:155	
	Max. Input Power	kVA 130	130	
	Connection/ Power Grid System	-	3P+ N+ PE , TN/TT	
	Power factor	X	>0.99	
	Efficiency	%	>94	
DC Output	Output Voltage	V	150 ~ 950	
	Simultaneously output mode	-	Dynamic distribution	
	Current	A	CCS air cooling 300A CHAdeMO 200A/125A	
Mechanical	Dimension (W x D x H)	mm	800x650x1900 mm	32 x 26 x 75 inch
	Weight(+/-3%)	kg/lbs	500 kg	1102 lbs
	Cable length	m/ft	Standard: 4.5 m	Standard: 15 ft
Environment	Operating Temperatur	°C / °F	-30~50°C	-22~122°F
	Humidity	%	5~95%	
	IP/IK ratings	-	IP55 IK10 (HMI IK8)	NEMA 3R IK10 (HMI IK8)
Compliance	EMC/EMI	-	IEC.61851-21-2 CNS 15511-21-2	FCC Part 15 Subpart B ICES-003
	Safety	-	IEC.61851-1. IEC.61851-23 CNS 15511-1 CNS 15511-23	UL 2202 UL 2231
Protection	Input	-	OVP, UVP, OCP, OPP, OTP, SPD, RCD	OVP, UVP, OCP, OPP, OTP, SPD
	Output	-	OCP, SCP, OVP, LVP, OTP, IMD	
User Interface & Control	Backend Support	-	OCPP 1.6 JSON,OCPP 2.0 core profile *Simultaneously connect to client & maintenance server	
	Display	inch	7	
	User Authentication	-	QR code, RFID, Credit Card (Optional)	
Communication	External	-	4G/ Wi-Fi/ Ethernet (RJ45) *Option:Wi-Fi or dual 4G	

Cable Management

For information on the optional charging pedestal, please refer to the accessory section on page 93.



Our EV charger is thoughtfully designed to be ADA-friendly, featuring an ergonomic usage height that bridges the gap between people and technology.

SPECIFICATION