

SPECIFICATION

Model Name

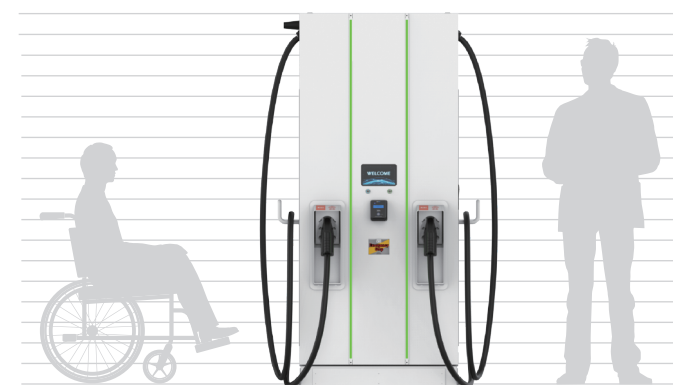
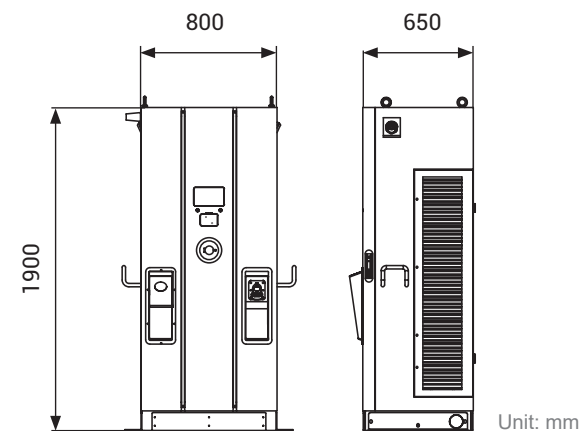
DS 90



	unit	CE/ CNS/ TR25	UL
AC Input	Input Voltage	X 3Φ_380~415Vac, ±15% (50/60hz)	3Φ_480Vac, +10%, -15% (50/60hz)
	Input Current Rating	A Max:173	Nominal:116
	Max. Input Power	kVA 98	98
	Connection/ Power Grid System	-	3P+ N+ PE , TN/TT
	Power factor	X	>0.99
	Efficiency	%	>94
DC Output	Output Voltage	V	150 ~ 950
	Simultaneously output	-	Dynamic distribution
	Current	A	CCS air cooled 300A CHAdeMO 200A /125A
Mechanical	Dimension (W x D x H)	mm/inch	800x650x1900 mm / 32 x 26 x 75 inch
	Weight(+/-3%)	kg/lbs	480 kg / 1058 lbs
	Cable length	m/ft	Standard:4.5(Optional: 6.5 or 7) / Standard:15 (Optional: 22 or 23)
Environment	Operating Temperature	°C / °F	-30~50°C / -22~122°F
	Humidity	%	5~95%
	IP/IK ratings	-	IP55 IK10 (HMI IK8) / NEMA 3R IK10 (HMI IK8)
Compliance	EMC/EMI	-	IEC.61851-21-2 / CNS 15511-21-2 / FCC Part 15 Subpart B ICES-003
	Safety	-	IEC.61851-1, IEC.61851-23 / CNS 15511-1 / CNS 15511-23 / UL 2202 / UL 2231
Protection	Input	-	OVP, UVP, OCP, OPP, OTP, SPD, RCD / OVP, UVP, OCP, OPP, OTP, SPD
	Output	-	OCP, SCP, OVP, LVP, OTP, IMD
User Interface & Control	Backend Support	-	OCPP 1.6 JSON,OCPP 2.0 core profile *Simultaneously connect to client & maintenance server
	Display	inch	7
	User Authentication	-	QR code, RFID, Credit Card (Optional)
Communication	External	-	4G/ Wi-Fi/ Ethernet (RJ45) *Option:Wi-Fi or dual 4G

Cable Management

For information on the optional charging pedestal, please refer to the accessory section on page 93.



Our EV charger is thoughtfully designed to be ADA-friendly, featuring an ergonomic usage height that bridges the gap between people and technology.

SPECIFICATION