

EVBox Elvi



EV/BOX

evbox.com

Technical specifications

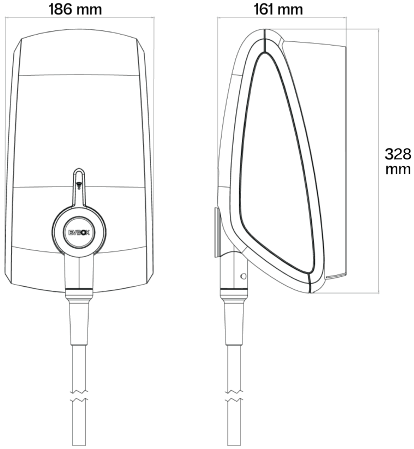
ELECTRICAL PROPERTIES	
Maximum charge rate ⁽¹⁾	Up to 22 kW
Charging mode	Mode 3 EVSE (IEC 61851-1)
Connector type	IEC 62196-1, IEC 62196-2 compliant: Type 2 fixed cable, 6 m charging cable Type 2 socket
Connection capacity	1-phase, 230 V, 16 A or 32 A, 50 Hz 3-phase, 400 V, 16 A or 32 A, 50 Hz
kWh meter ⁽¹⁾	3-phase MID-certified meter
Leakage current detection	Tripping times and limits are compliant with IEC 61851-1:2017 Cl. 8.5. (in accordance with IEC 62955:2018 Table 2)
ENVIRONMENT AND SAFETY CLASS	
Operating temperature	-25 °C to +45 °C ⁽²⁾
Storage temperature	-25 °C to +60 °C
Maximum installation altitude	2000 m
Enclosure ratings	IP 55 (IEC 60529), IK 10 (IEC 62262)
Safety class	Safety Class I and overvoltage Category III
CONNECTIVITY	
Authorization	RFID reader (MIFARE® 13.56 MHz)
Communication standard (not applicable for satellite stations)	Wi-Fi ⁽¹⁾ <ul style="list-style-type: none"> · Wi-Fi 2.4 / 5 GHz · Wi-Fi 2.4 GHz Bluetooth 4.0
CONNECTIVITY	
Cellular communication ⁽¹⁾	<ul style="list-style-type: none"> · 4G / 2G · 3G / 2G
Hub-satellite RF communication ⁽¹⁾	869 MHz
PHYSICAL PROPERTIES	
Dimensions (W x H x D)	Fixed cable 186 x 328 x 161 mm
	Socket 186 x 328 x 219 mm
Dimensions cable dock (W x H x D)	122 x 197 x 94 mm
Total station weight ⁽¹⁾	Fixed cable Maximum 7 kg (dependent on cable type)
	Socket 3.5 to 4.0 kg
CERTIFICATION AND COMPLIANCE	
Power supply input	EV supply equipment permanently connected to AC supply network
Power supply output	AC EV supply equipment
Normal environmental conditions	Indoor and outdoor use
Access	Equipment for locations with non-restricted access
Equipment type	Stationary equipment that is wall-mounted or pole-mounted

⁽¹⁾Dependent on charging station model

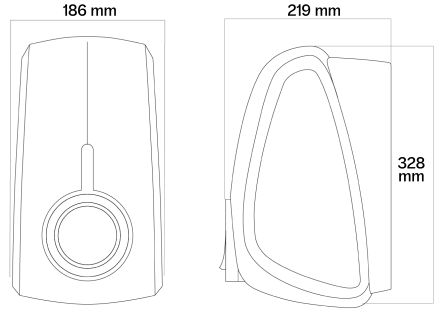
⁽²⁾Derating of output power may occur

Technical specifications

VARIANTS WITH FIXED CABLE



VARIANTS WITH SOCKET CONNECTION



Specifications and performance data contain average values within existing specification tolerances and are subject to change without prior notice.

© EVBox. All rights reserved. The EVBox name and logo are trademarks of EVBox B.V or one of its affiliates. No part of this document may be modified, reproduced, processed, or distributed in any form or by any means, without the prior written permission of EVBox.