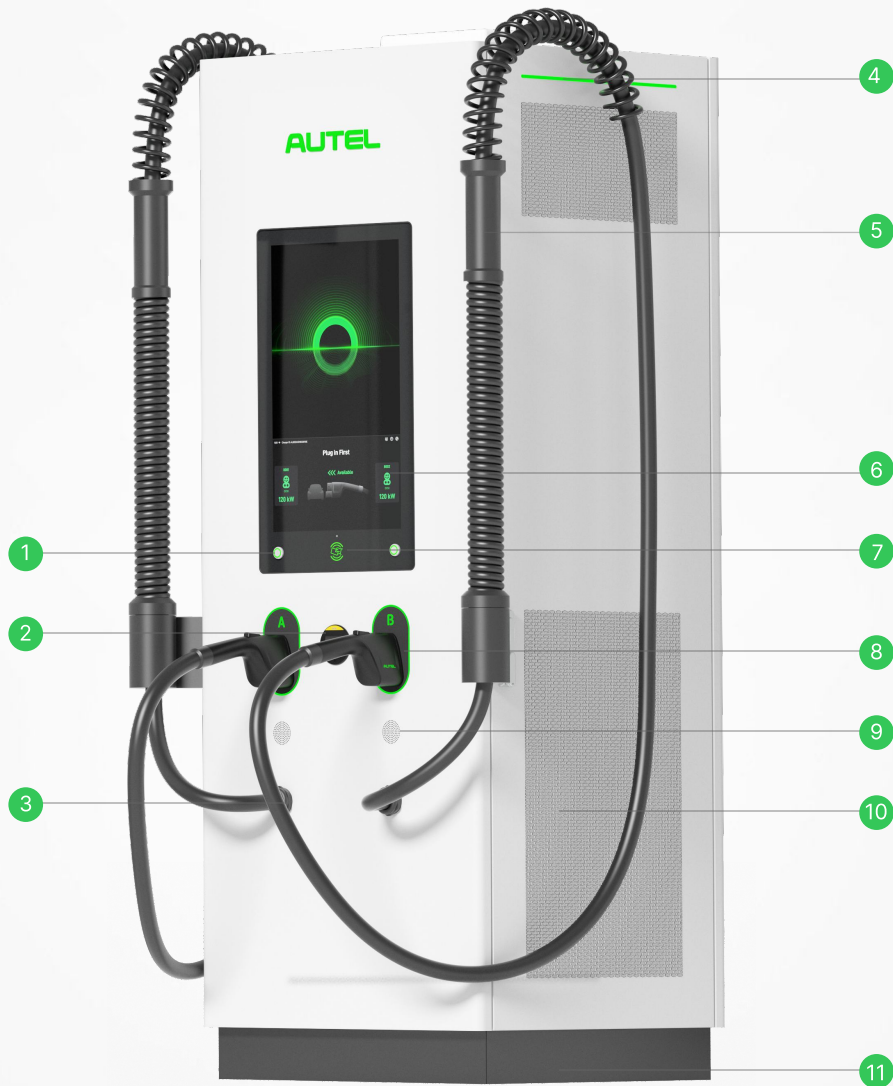


**AUTEL**<sup>®</sup>

# MaxiCharger DH480

480 kW All-in-one DC Charger





1. Operation Button

2. Pos Device

3. Cable Exit

4. LED Indicator

5. Cable Management System

6. Touch Screen

7. RFID Card

8. Socket Indicator

9. Voice Prompter

10. Vent

11. Bracket Mounting Location

Power Range

**120-480 kW**

Adaptive voltage range

**150-950 v**

Max.output power for single port

**480 kW**

Number of outputs

**1-4\***

\*Standard configuration includes 2 ports, configurable according to requirements.

# MaxiCharger DH480, Born Intelligent



## Reliable

- **Module-Level Reliability:** Designed with a modular approach, ensuring that individual components can be replaced within 5 minutes.
- **System-Level Reliability:** Utilizes EcoCool Airflow\* technology to enhance heat dissipation efficiency and power density, ensuring system reliability.
- **Reliable Communication:** Employs 5G dual-channel networking for secure communication with no data loss, enabling charging even without internet connectivity, with an online rate exceeding 99.9%.



## Smart

- **Smart Vehicle-to-Station Cloud Collaboration:** Enhances compatibility and first-time charging success rate, delivering an exceptional charging experience.
- **AI-Powered Smart Charging Technology:** Boosts station revenue by 15%.
- **Smart Simplified Operation and Maintenance:** Smart station setup, remote monitoring, diagnostics, and troubleshooting, reducing maintenance costs.



## Scalable

- **Unified Platform:** Ranges from 120kW to 480kW, allowing for smooth and rapid evolution.
- **Expandable Outputs:** Supports up to 4 ports, with each port capable of delivering a maximum output of 480 kW, achieving 500 km in just 10 minutes.
- **Supports Station-Level Intelligent Collaboration and Smart Integration with Solar and Storage Charging.**

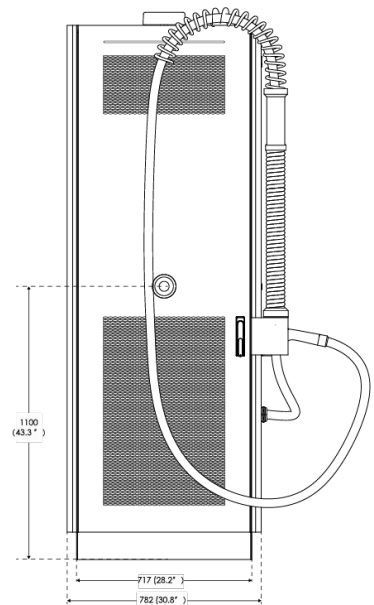
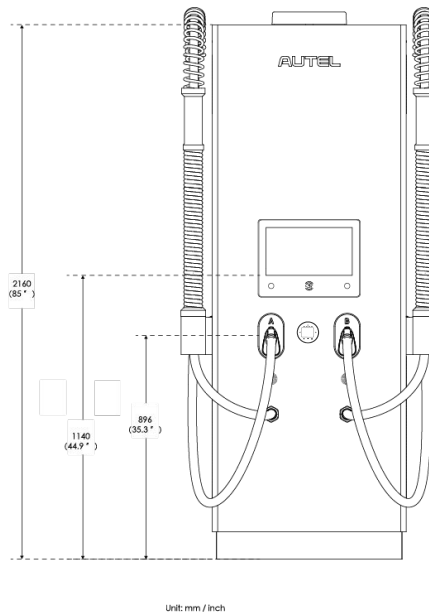
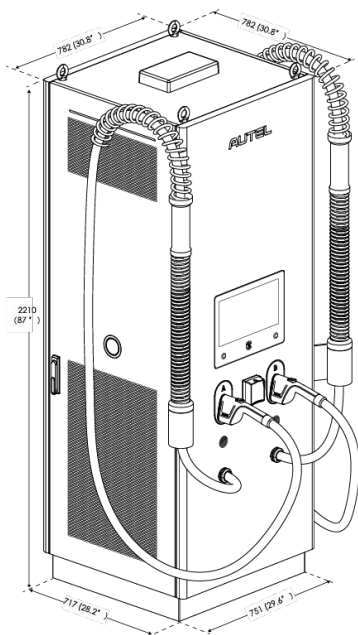
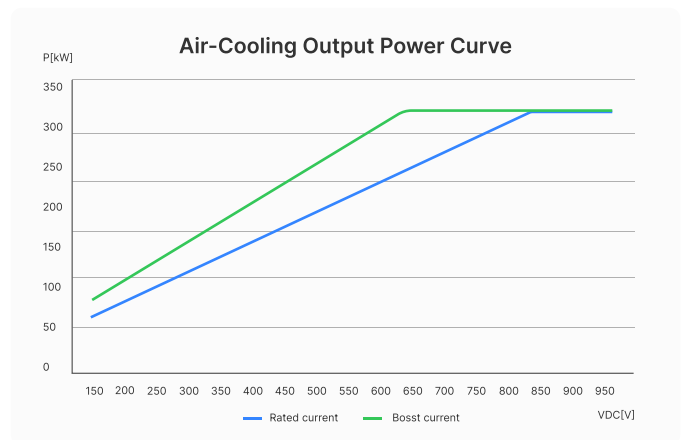
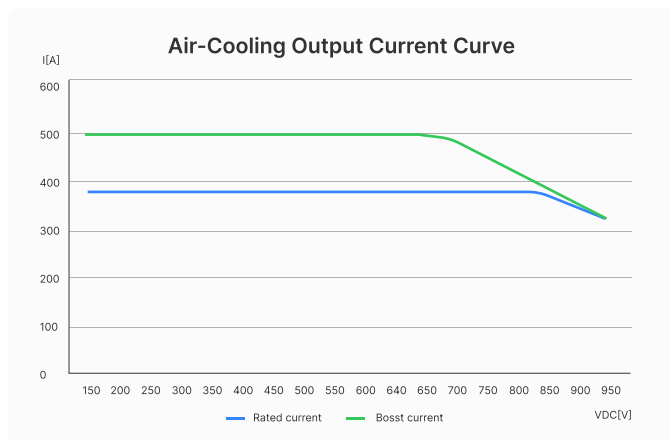
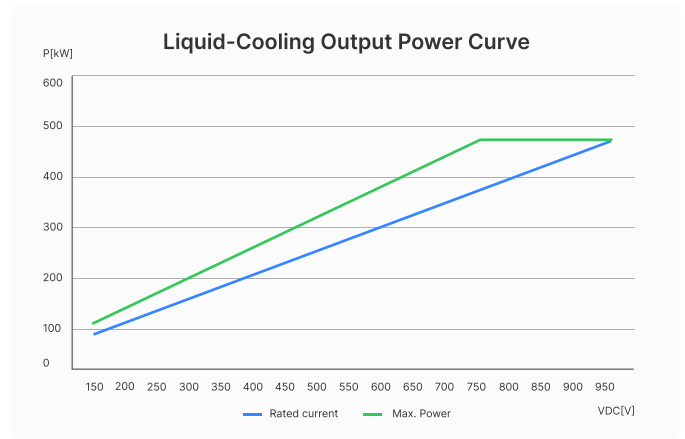
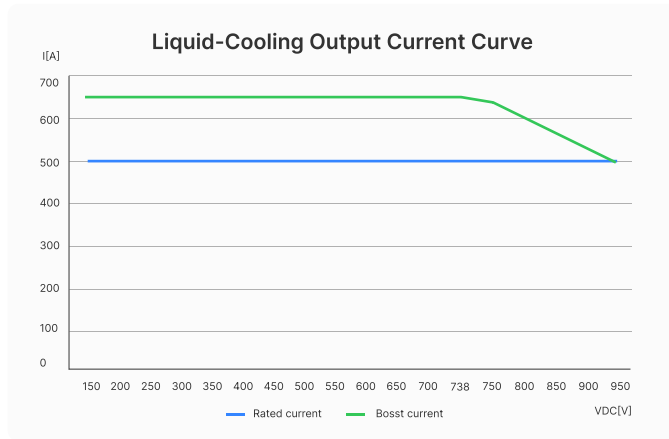
\* EcoCool Airflow fanless cooling technology.

# Technical Specifications

Electrical specifications	Charging mode	CCS2 / CHAdeMO
	Maximum power	480 kW
	Max.Output power of Single port	Liquid Cooling: : 480KW Air Cooling : 320kW
	Output voltage	150-950V
	Output current	Liquid Cooling: 500A (Max. 650A) Air Cooling : 380A (Max. 500A)
	Number of outputs	Max.4 2*CCS2; 1*CCS2+1*CHAdeMO 2*CCS2+2*CHAdeMO; 2*CCS2+1*CHAdeMO
	Peak efficiency	96.5%
	Earthing system	3P+N+PE
	Input voltage	3-phase 400V AC ±15% (2 Routes)
	Input frequency	50Hz
	Power factor	≥0.99
	Harmonic distortion (THDi)	≤3%
	Minimum adjustable power	40KW
	Idle power	50W
Mechanical specifications	Enclosure rating	IP54, IK10
	Dimensions (H×W×D)	2150*782*782mm
	Power per cubic meter	366.41kW / m3
Environmental requirements	Operational acoustic noise level	≤65dB
	Operating altitude	2000m
	Operating temperature range	-35°C ~ +55°C
	Storage temperature range	-40°C ~ +70°C
	Relative humidity	≥95%

Connectivity and User Interface	Connectivity	Dual 5G, Wi-Fi, Ethernet, WiSun
	Screen type	8inch, 15 inch , 27 inch AD screen Optional
	Cable length	5m
	Status indication	LED/LCD/APP
	Display height	1140mm
	RFID protocols	ISO 14443 A/B, ISO/IEC 15693
	Credit card readers	NAYAX VPOS_Touch, ONYX, Payter P66
	User authentication	APP, RFID card, QR code, Credit Card (Optional)
	User interface	Autel Charge APP; Autel Charge Cloud
	Cable Mgmt System	Standard
Software specifications	Communication protocols	OCPP 1.6 J & OCPP 2.0.1
	Software Upgrade	OTA updates via web portal
	Load management	Dynamic load balancing
	Charging strategy	Smart charging based on vehicle type recognition and charging curve prediction
	Communication protocol with EV	IEC 61851-24; DIN 70121; ISO 15118-2; ISO 15118-20 (optional)
	Identification Access Management (IAM)	RFID: MI-FARE ISO / IEC14443A / B, ISO/IEC15693, ISO/IEC18000-3, FeliCa, NFC
Certification and Standards	Safety standards	IEC 61851-1; IEC 61851-23; IEC 61851-21-2; ISO 15118
	Certification	CE, CB, UKCA, Eichrechet, MID, LNE, EMC Class A
	EMC compliance	Class A
	Design life	15 years
	Warranty	24 months, warranty extension possible

# Current Curve / Power Curve



**Autel Digital Power Co., Ltd**

Phone:(844) 765-0150

E-mail: [evsupport@autel.com](mailto:evsupport@autel.com)

Website: [autelenergy.com](http://autelenergy.com)

© Copyright 2024 Autel. All rights reserved.  
Specifications subject to change without notice.

